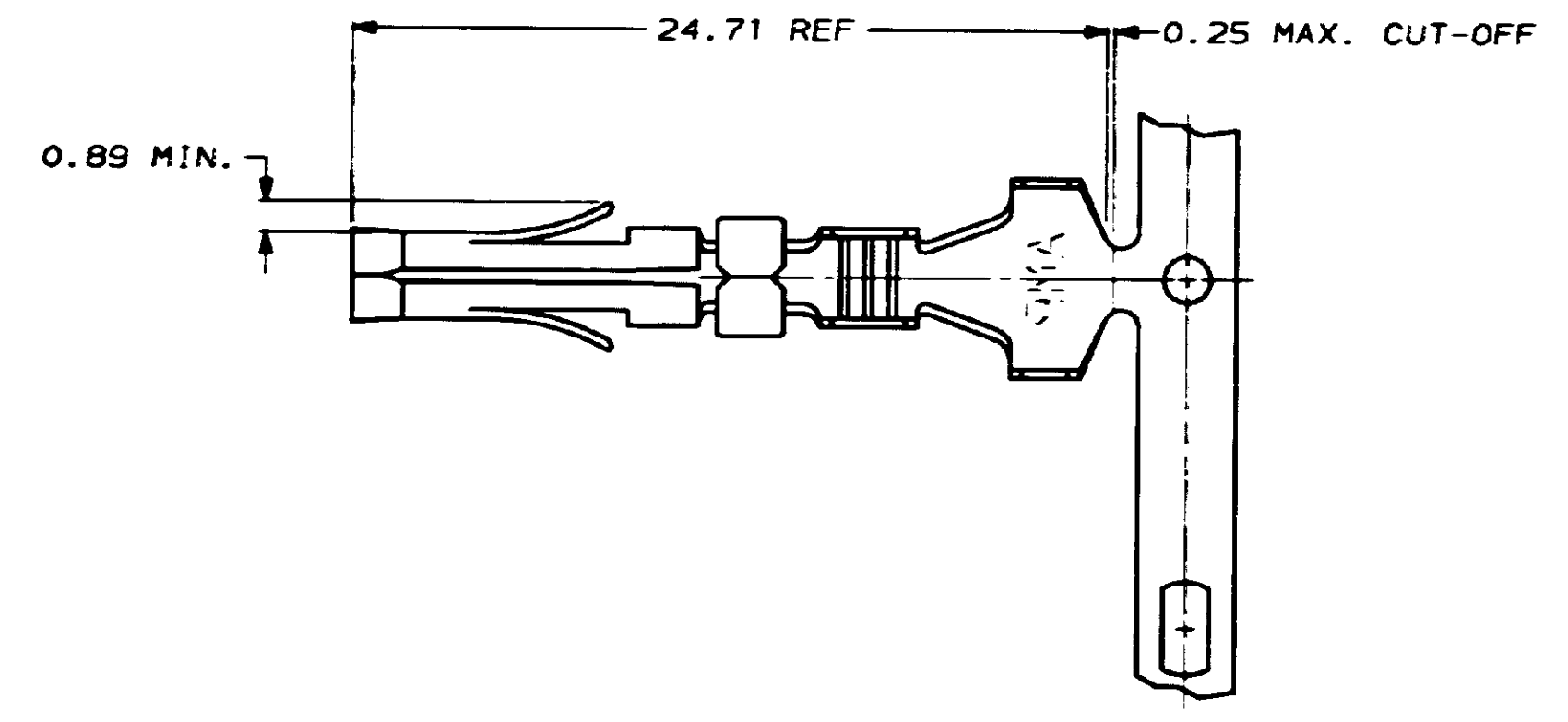
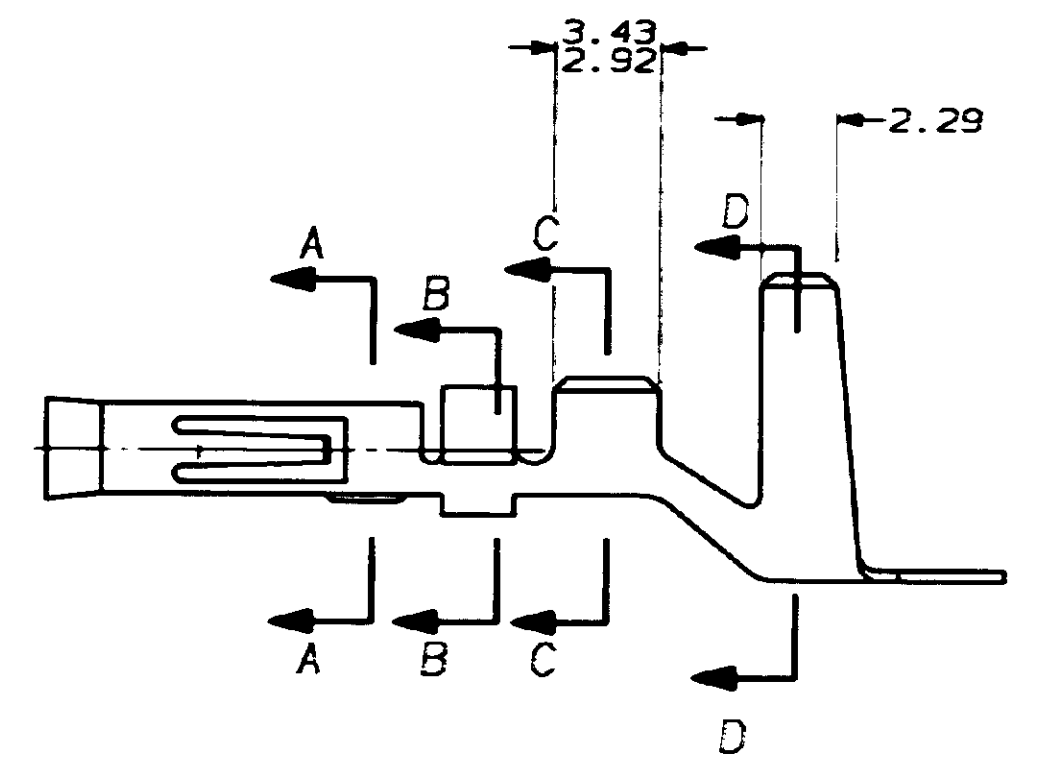
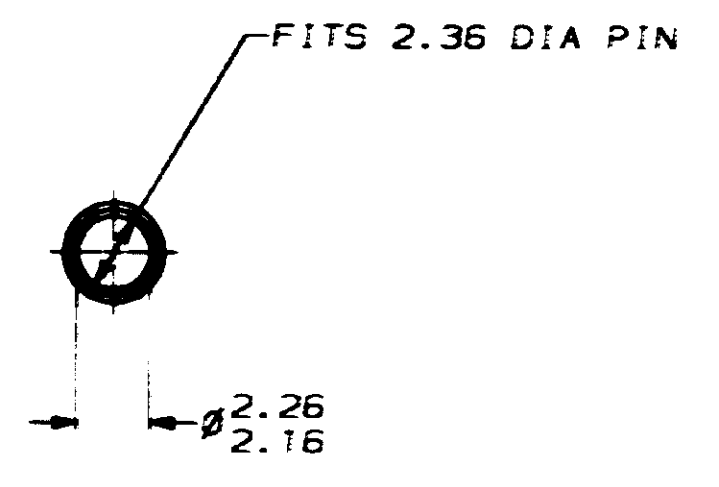


REVISIONS			
LOC	QTY	DESCRIPTION	DATE
CM	53	J REVISED PER EC 0730-4244-93	9-7-93

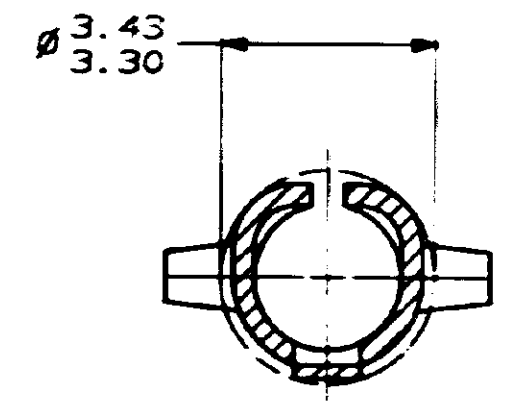


- INSULATION RANGE- (2) 4.57 MAX.
WIRE RANGE- 18-14 AWG.
- THIS CONTACT TO BE USED WITH HOUSINGS
770364-1, 770365-1, 770450-1,
770451-1, 770452-1 AND 770453-1 ONLY.

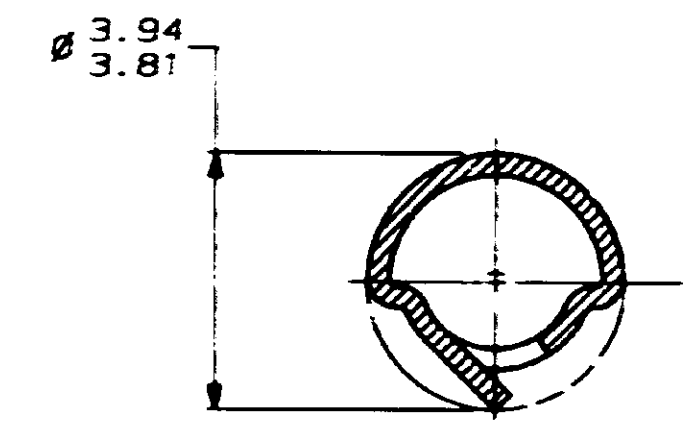


IN	MM	IN	MM
.973	24.71	.120	3.05
.365	9.27	.115	2.92
.265	6.73	.093	2.36
.250	6.35	.090	2.29
.180	4.57	.089	2.26
.155	3.94	.085	2.16
.150	3.81	.035	0.89
.140	3.56	.0125	0.318
.135	3.43	.010	0.25
.130	3.30	.005	0.13

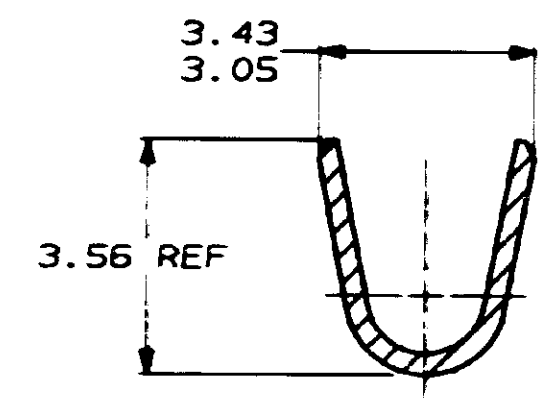
CONVERSION TABLE



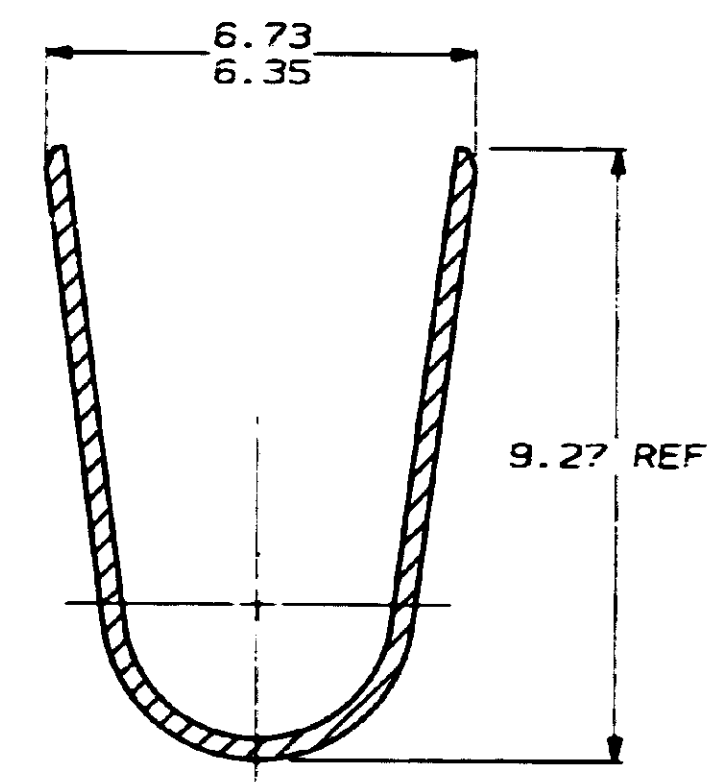
SECTION A-A
SCALE 10:1



SECTION B-B
SCALE 10:1



SECTION C-C
SCALE 10:1



SECTION D-D
SCALE 10:1

METRIC

770383-1
PART NUMBER

DO NOT SCALE PRINT. UNLESS SPECIFIED DIMENSIONS IN MM TOLERANCES ON + 2 PLC DEC ± 0.13 3 PLC DEC ± - ANGLES ± -		DR 1-23-90 C. MARTIN CHK 1-24-90 R. SWING APPD 1-25-90 R. CARSON APPD 1-25-90 R. CARSON		PART NO AMP INCORPORATED NAME .093 SOCKET, COMMERCIAL PIN AND SOCKET	
MATERIAL 0.318 PHOS BRZ		PRODUCT SPEC -		SIZE D 00779	
FINISH PRE-TIN		APPLICATION SPEC -		DRAWING NO 770383	
WEIGHT -		SCALE 5:1		SHEET 1 OF 1	

AMP 1780-3 REV 3-87